

MIO-6300

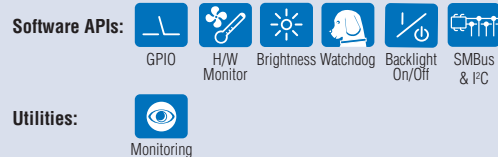
Intel® Celeron® N2930 3.5" Robotics application , DDR3L, 18/24-bit LVDS, VGA, 3 GbE, 2 Mini PCIe, SMBus, I²C, mSATA & MIOe, 12V/24V Power Input, CANBus support

NEW



Features

- Embedded Intel® Celeron® N2930 Quad-Core processor design, DDR3L 1333MHz support up to 8GB
- Intel Gen 7 DirectX®11.1 support, Dual Independent display: 18/24bit LVDS, VGA
- Intel GbE support, Rich I/O interface with 2 COM, 1 USB 3.0, 3 USB 2.0, GPIO, SMBus, I²C
- Supports SUSIAccess and Embedded Software APIs

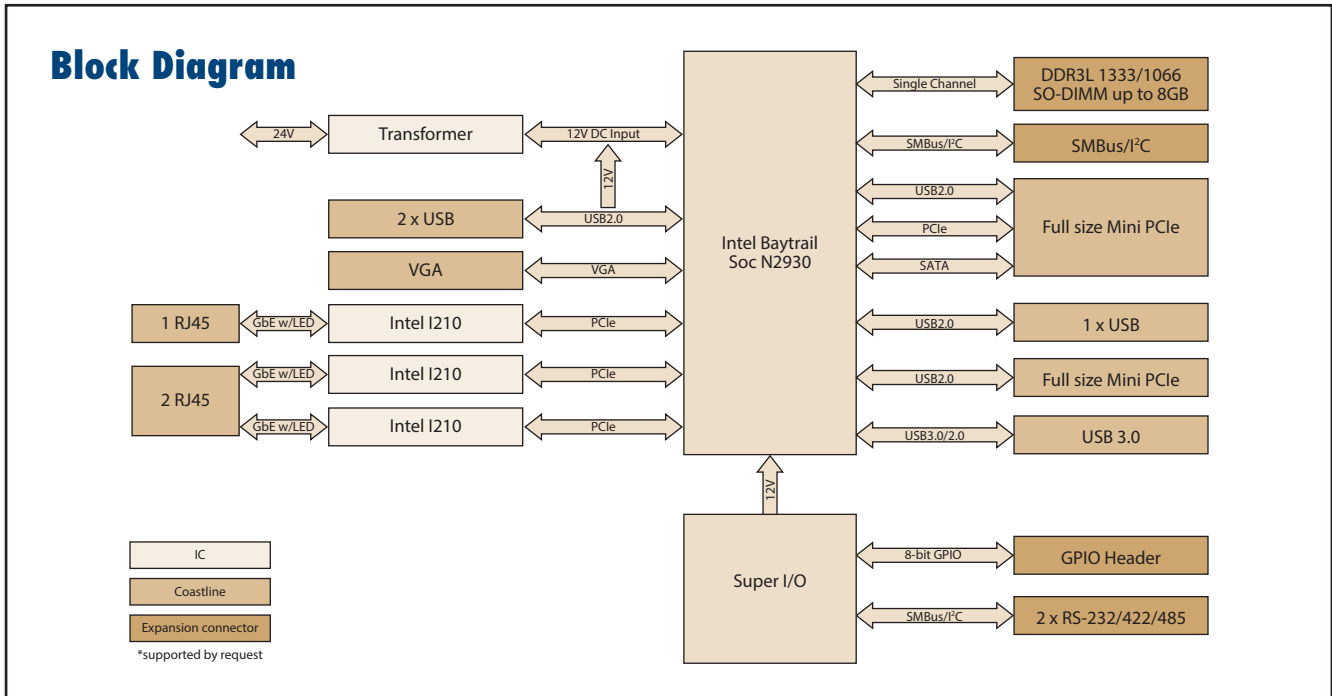


Specifications

Processor System	CPU	Intel Celeron N2930
	Frequency	1.83 GHz (Quad-Core)
	L2 Cache	2 MB
	Max Turbo Frequency	2.16GHz
	System Chipset	Intel Atom SoC processor integrated
	BIOS	AMI EFI 64 Mbit
Memory	Technology	DDR3L 1333 MHz for N2930, DDR3L 1066 MHz for E3825
	Max. Capacity	8 GB
	Socket	1 x 204-pin SODIMM (Support 1.35V DDR3L)
Display	Chipset	Intel Gen7 graphic engine
	Graphic Engine	DirectX®11, Open GL3.0, Open CL 1.1, OGL ES 2.0 Encode: H.264, MPEG2 Decode: H.264, MPEG2, VC-1, WMV9
	LVDS	Supports single channel 24-bit LVDS up to 1440 x 900 at 60Hz
	VGA	Supports 2560 x 1600 at 60Hz
	Dual Display	Yes (LVDS+VGA)
Ethernet	Speed	10/100/1000Mbps
	Controller	Intel I210
Audio	Chipset	Realtek ALC888S, High Definition Audio (HD), Line-in, Line out, Mic-in
WatchDog Timer		Output System reset, Programmable counter from 1 ~ 255 minutes/ seconds
Storage	mSATA	2 (Supports mSATA or USB interface module or full size miniPCIe, selected by BIOS, default is mSATA)
Expansion	Mini PCI Express	2 x Full-size
Power	Power Type	12V/24V power input
	Power Supply Voltage	Supports single 12V/24V input, ± 10%
	Power Consumption (Typical)	MIO-6300N-S8A1E: 4.4W
	Power Consumption (Max)	MIO-6300N-S8A1E: 7.0W
	Power Management	ACPI
	Battery	3 V / 210 mA
Environment	Operation	0 ~ 60° C (32 ~ 140° F) (Operational humidity: 40° C @ 95% RH Non-Condensing)
	Non-Operation	-40° C ~ 85° C and 60° C @ 95% RH non-condensing
Physical Characteristics	Dimensions (L x W)	146 x 102 mm (5.7" x 4")
	Weight	0.35 kg (0.77 lb), weight of total package
	Total Height	Top Side: 26.9 mm (including heatsink); Bottom Side: 6.8 mm

* The specification is supported by request

** MIO-3260C default support GbE only. GbE w/LED is supported by request.



Ordering Information

Part No.	CPU	L2 Cache	Memory	LVDS	VGA	GbE	HD Audio	USB 2.0	RS-232/422/485	Mini PCIe*	MIOe	Connector Type	Thermal Solution	Operational Temp.
MIO-6300N-S8A1E	Intel Celeron N2930 1.83G	2MB	SO-DIMM	18/24-bit	Yes	3	Yes	4	2	2 Full size	Yes	64-pin	Passive	0 ~ 60° C

* Full-size Mini PCIe supports mSATA
 Note1: Default BIOS supports 64 bits OS installation, BIOS for 32 bits OS installation is supported by project.
 Note2: Passive = fanless; Active = with fan

Packing List

Part No.	Description	Quantity
	MIO-3260 SBC	1
	Startup Manual	1
1960063455T001	Heatsink I-Bay Trail-M M-10W 99.5 x 70.5 x 15.7-SC	1
1700018999	F Cable 2*10P-2.0/D-SUB 9P(M)*2 22cm Lock	1
1700019000	A Cable 2*5P-2.0/USB-A 4P(F)*2 26CM W/ BKT F/10 L	1

Optional Accessories

Part No.	Description
1960065074N001	Heat spreader (99.5 x 70.5 x 11.2mm)
EMCB-200U-MP01E	CANBus module, 2-Ch, USB I/F
1700024079-01	LAN w/LED cable RJ45-8P8C/2*7P-2.0 15cm

Embedded OS/API

Embedded OS/API	Part Number	Description
WES8	2070013532	WES8 MIO-3260 X64 V6.5.2 Eng/Cht/Chs/Jpn
WES7	2070013483	WES7E MIO-3260 X64 V5.6.8 Eng/Cht/Chs/Jpn
WEC7	2070013570	WEC7 Pro MIO-3260 V1.0 Eng
VxWorks		6.9
Linux		Ubuntu V13.10
Software API		SUSI V4.0

MIO-6300 Side Review

